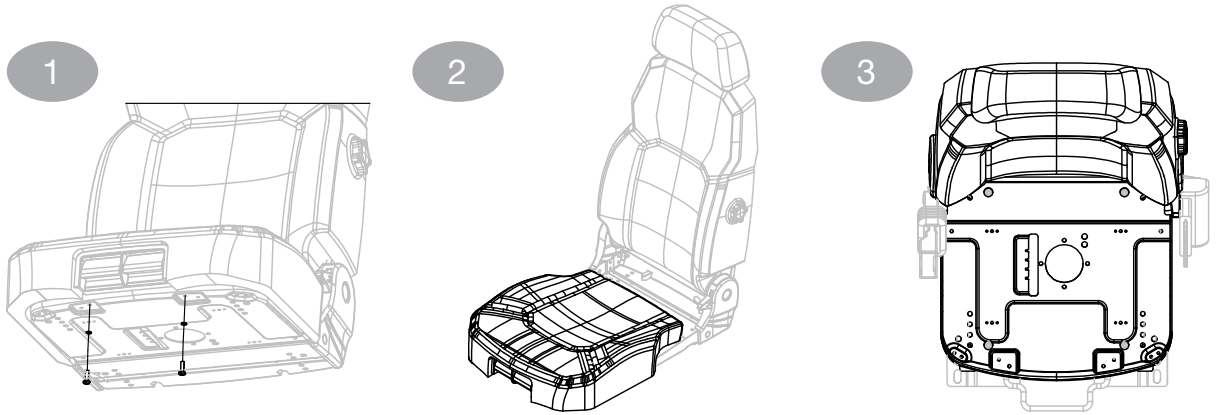
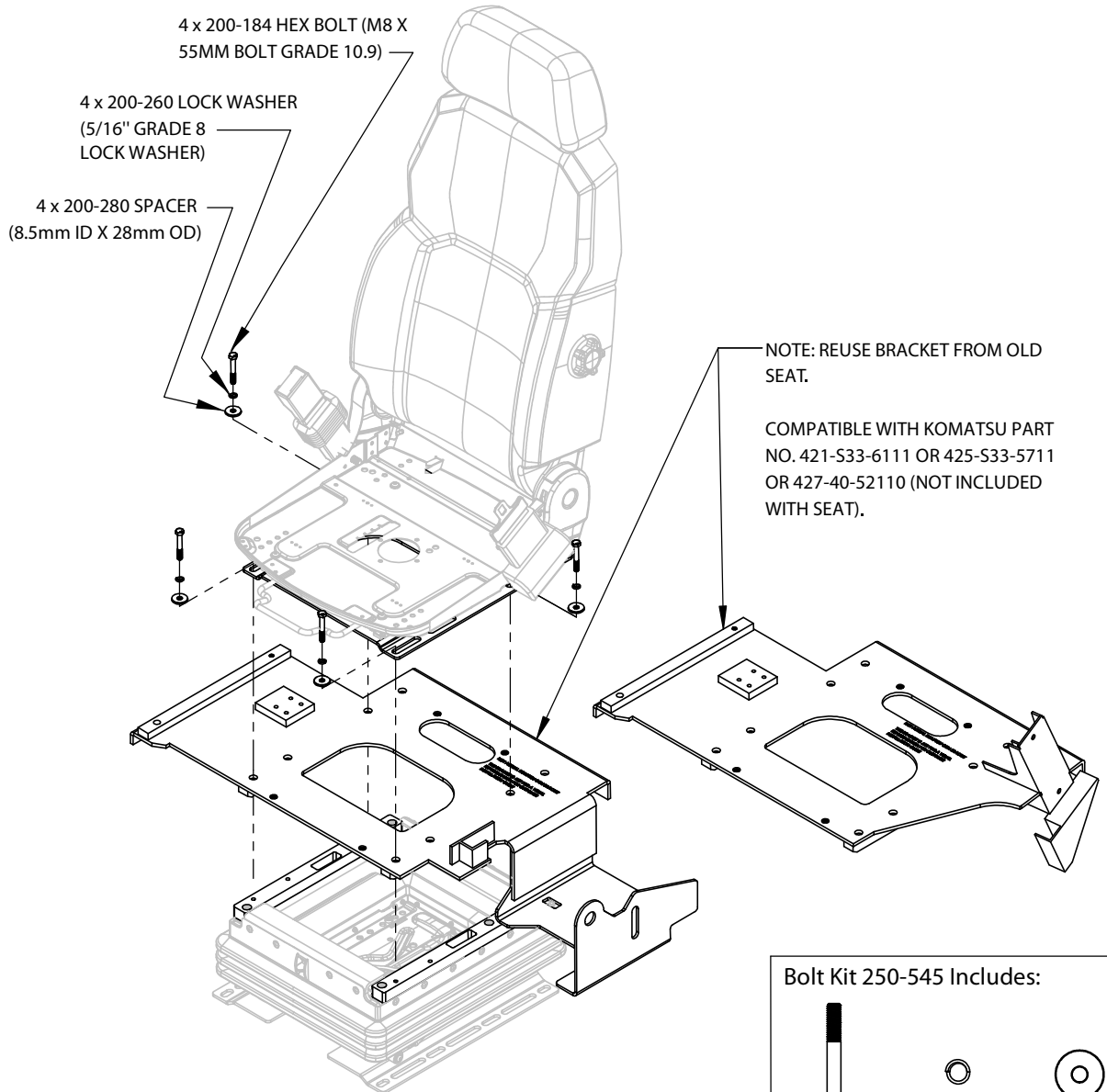


# KSU3 II INSTALLATION GUIDE

APPLIES TO MODELS  
**V878C KSU3 II**



NOTE: TEMPORARILY REMOVE SEAT CUSHION TO ACCESS FRONT HOLES IN BRACKET.



SCAN FOR GUIDES



Guides also available at:  
<https://www.ultraseat.com/downloads>

Part# 585248C24

Bolt Kit 250-545 Includes:



4 x 200-184



4 x 200-260



4 x 200-280