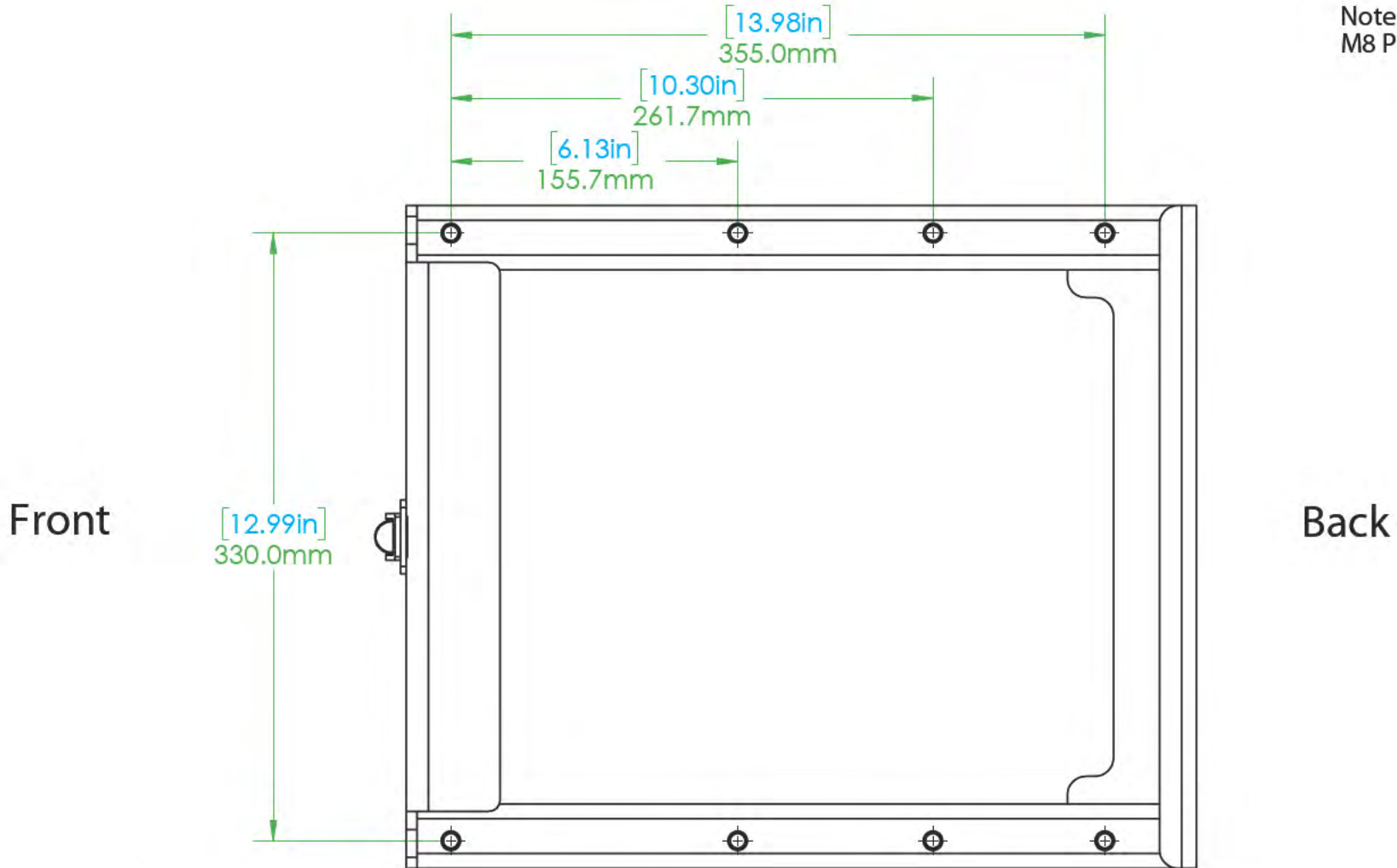


SUSPENSION BASE HOLE PATTERN

S078C

TOP MOUNTING PATTERN

Note: All holes have
M8 PEM nuts



ULTRA SEAT CORPORATION

* Mounting Pattern Dimensions
* Measurements in Inches

PHONE: 1-800-667-7328 • FAX: 1-888-667-7328

ULTRASEAT.COM